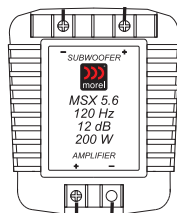
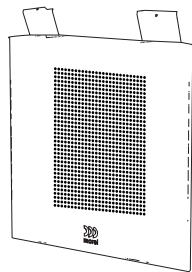


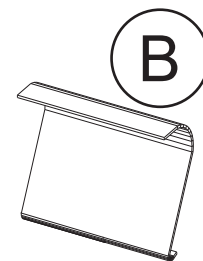
10" HARMONY

PARFURATED IN-WALL SUBWOOFER

SELF-ASSEMBLY GUIDE.



PASSIVE CROSSOVER
MSX 5.6

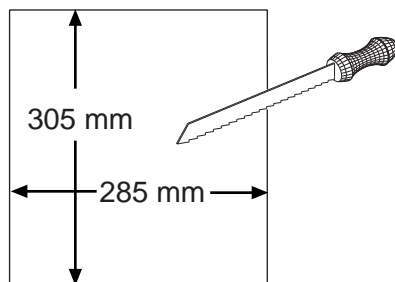


B
Assembling &
Dismantling
Tool
(Provided)

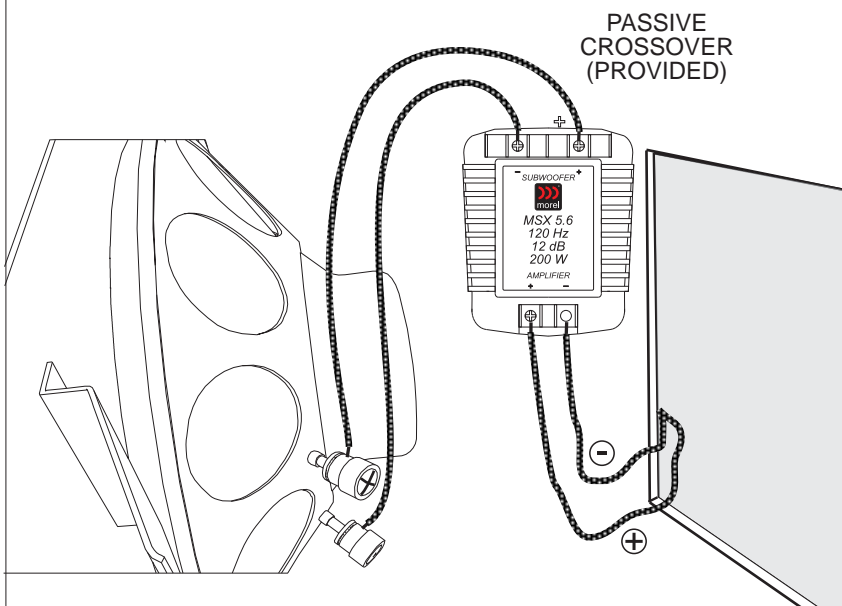
1

Getting Started

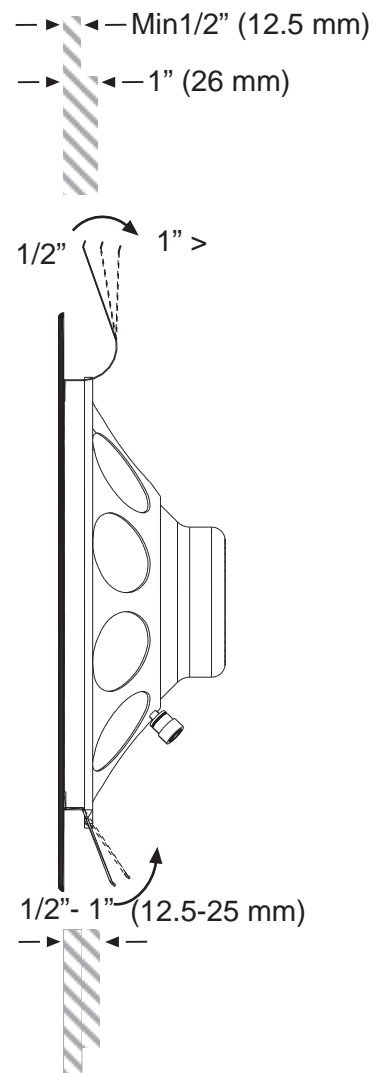
1.1 CUT OUT



1.2



1.3



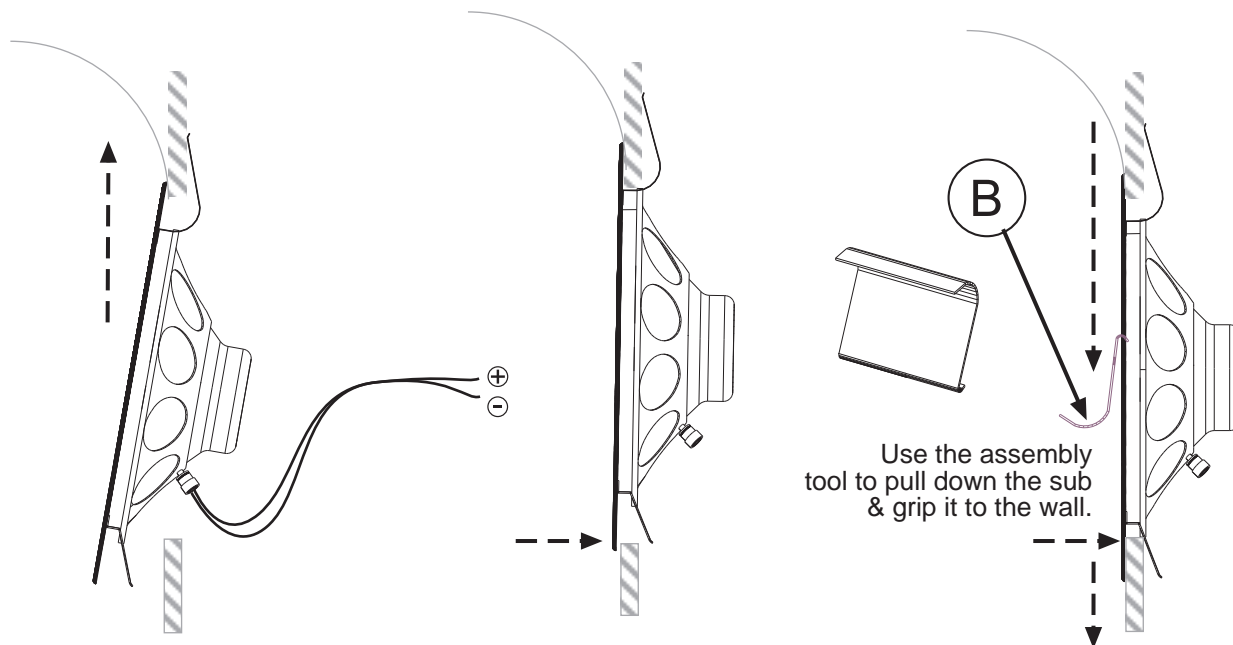
10" HARMONY

PARFURATED IN-WALL SUBWOOFER SELF-ASSEMBLY GUIDE.



2

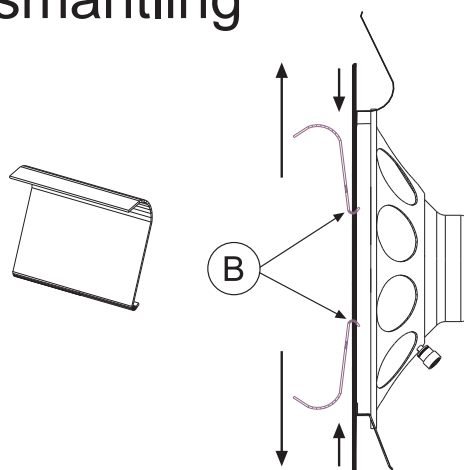
Insert
into the
wall



3

The
Final
Look

Assembling / Dismantling



SPECIFICATION

Woofers:

10" (250mm) rear vented w/ C.A.R loading filter.
Hybrid double magnet motor(neodymium and ferrite).
3"Aluminum Hexatech™
voice coil using Morel's EVC™ technology.

Cone Type:

Damped Polymer Cone (DPC)
integrated cone center and surround assembly.

Construction:

Mild Steel

Sensitivity:

89 dB 1m/1W

Impedance:

8 ohm

Crossover:

120 Hz 12dB (using the MSX 5.6 crossover)

Fs:

32Hz

Re:

6.5Ohm

Frequency Response:

22-2500Hz

Power handling (RMS):

180W

Dimensions:

350mm X 330mm X 95mm

Weight:

4Kg/8.4Lbs

Finish:

Zinc treated and epoxy spray enameled.

Colors:

White