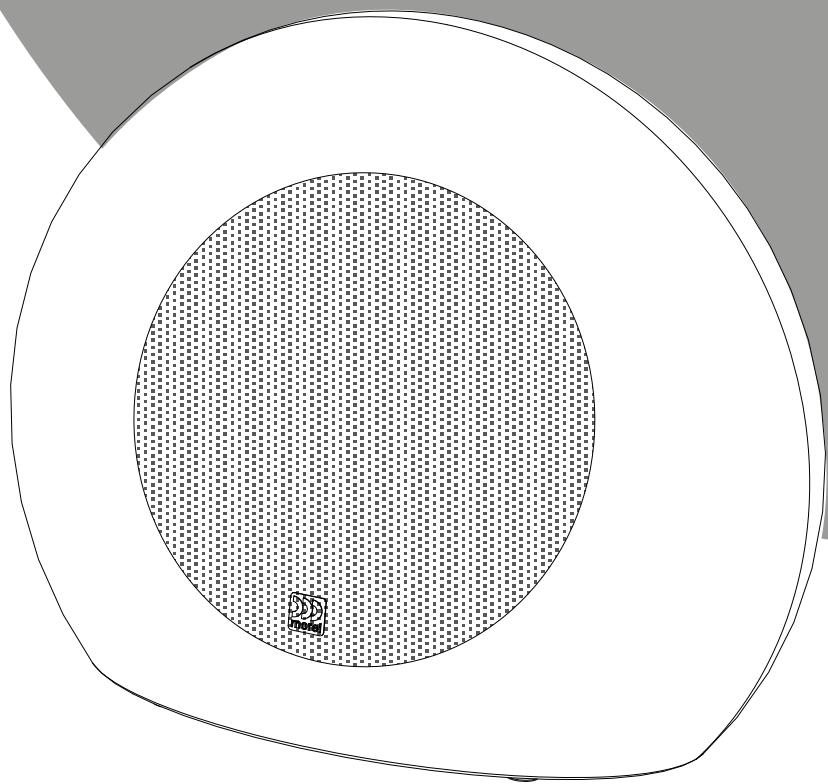
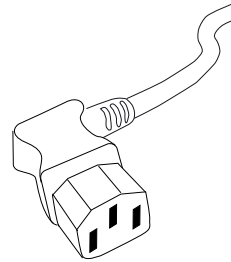
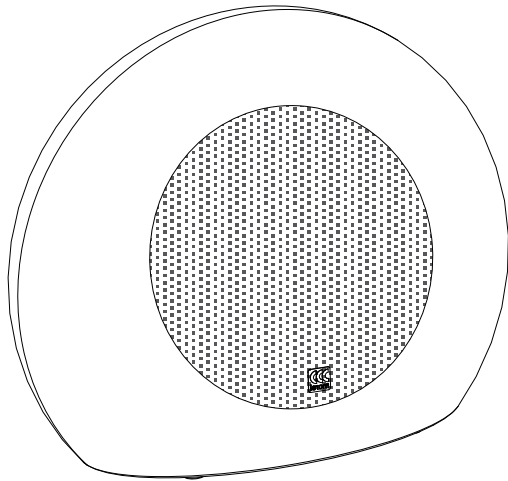


# SOUNDSUB™ SERIES

## SUBWOOFER OWNERS MANUAL



# CONTENT



**Dear customer,**

Thank you for choosing Morel's SoundSub™ Subwoofer. The information in this manual will help you get the best possible performance out of your subwoofer. If you have any questions, please contact your Morel dealer, or Morel support at [www.morelhifi.com](http://www.morelhifi.com). Morel wishes you years of musical enjoyment.

## SOUNDSUB™ Subwoofer

The new SoundSub™ is a shallow compact, reflex-loaded subwoofer, designed to deliver a full bass impact along with, the dynamics of a rich home theatre experience. It is a powered active subwoofer with a slim round design and low energy consumption when in stand-by mode (less than 0.5W when there is no musical note).

This subwoofer is suitable for any home theatre system; with an emphasis on ideal acoustic integration with the Morel's SoundSpot™ series. Both SoundSub™ PSW8e and PSW10e are driven by a high quality amplifier (150W for the PSW8e and 250W for the PSW10e).

The amplifier offers all desirable features in a home theatre system, including an automatic on/off switch, volume control, phase control which allow for seamless system integration.

### Safety instructions



#### Read The instructions

Please read all safety and operating instructions carefully before using or connecting your SoundSub™ subwoofer.

#### Output Level

Before operating, set the Subwoofer output level knob to minimum.

#### Power Switch

Before plugging in the AC power cord, set the power switch to off

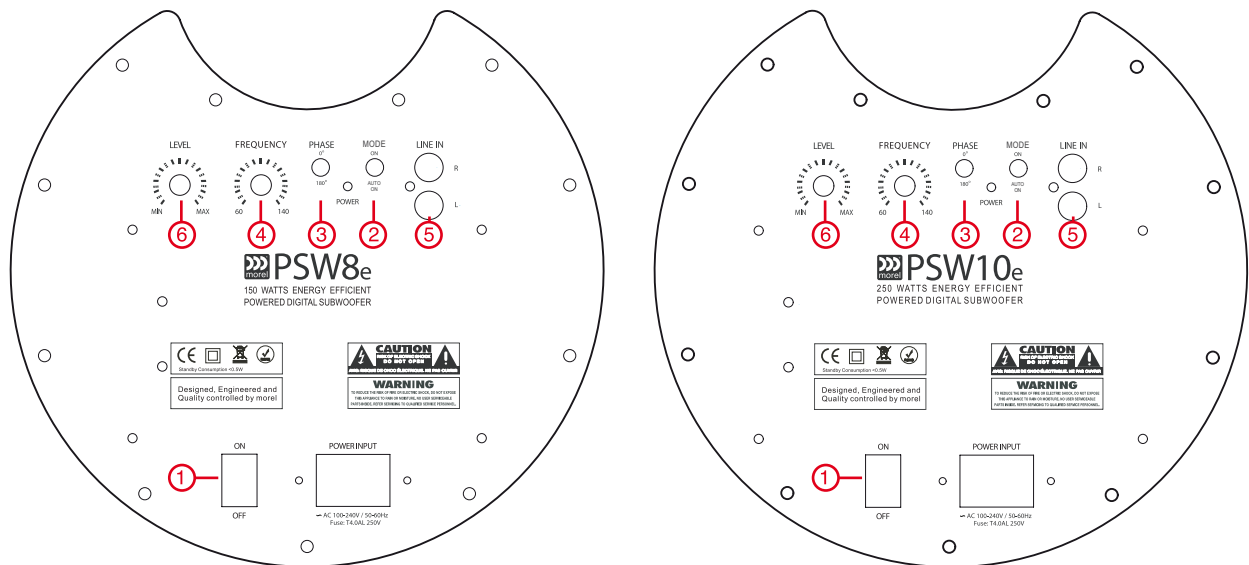
#### Water and Moisture

To reduce the risk of fire or electric shock, do not expose this appliance to rain or moisture

#### Service

Please do not attempt to service the appliance beyond the steps described within the operating instruction. All other servicing should be referred to a qualified service technician.

# SOUNDSUB™ PSW8e & PSW10e Amplifier Controls



## 1. MAIN POWER SWITCH

The PSW8e / PSW10e amplifier has its main breaker switch at the bottom left corner, next to the power cord inlet. It consists of an ON/OFF switch. The main power switch has to be in the ON position in-order for the unit to become operational. If power switch position is selected, the sub will become operational.

## 2. AUTO / ON SWITCH

If AUTO position is selected (energy efficient mode), the subwoofer will become operational as soon as it receives an audio signal. It will be turned off several minutes after the audio signal is switched off. If the ON position is selected the subwoofer will operate indefinitely.

## 3. PHASE CONTROL

The phase control allows phase adjusting of the subwoofer to match that of the other speakers in your home theater system. With the system turned on, turn the phase control first to 0° then to 180°, and leave it in the position at which the bass level in your room sounds strongest and deepest.

## 4. FREQUENCY CONTROL

The crossover control determines the range of frequencies your subwoofer will reproduce. When turned to 60Hz, the subwoofer will only issue the lowest bass frequencies. As you turn the knob towards 140Hz, the subwoofer will reproduce more high frequency notes (higher range). When the crossover control is adjusted correctly, the subwoofer, together with the other speakers in your system, reproduces the entire frequency range.

## 5. RCA INPUT JACKS

The RCA input terminals of the subwoofer amplifier (line in) connects via RCA cables the unit to your amplifier/receiver subwoofer out. If there is only mono output from the amplifier, then use the R input for mono.

## 6. LEVEL CONTROL

The level control adjusts the bass level (volume) of your subwoofer.

Adjust your required level of bass relative to the sound reproduced by the other speakers in the system. The bass level reproduced by the subwoofer will change as you modify the volume control setting on your amplifier/receiver, maintaining the relative level set by this control.

## SPECIFICATIONS

## SOUNDSUB™ PSW8e

Construction	Fiberglass composite resin
Dimensions	16" x 13" x 9" (410mm x 350mm x 230mm)
Driver Units	One 8"(203mm) Flat-profile woofer with 2"(50)mm voice coil and rear-vented magnet motor
Frequency Response	30-160Hz
Amplifier	150W,continuous power,all formats compatible with automatic on/off switch,level,crossover, and phase controls
Input	Line-level RCA phono jack
Voltage	100-240VAC 50/60Hz with main supply automatic voltage selector
Net Weight	23 lbs(10 Kg)

## SPECIFICATIONS

## SOUNDSUB™ PSW10e

Construction	Fiberglass composite resin
Dimensions	17.4" x 14.4" x 10" (443mm x 370mm x 253mm)
Driver Units	One 10"(254mm) Flat-profile woofer with 2"(50)mm voice coil and rear-vented magnet motor
Frequency Response	25-160Hz
Amplifier	250W, continuous power, all formats compatible with automatic on/off switch, level,crossover,and phase controls
Input	Line-level RCA phono jack
Voltage	100-240VAC 50/60Hz with main supply automatic voltage selector
Net Weight	33 lbs (15 kg)

- Morel operates a product design improvement policy consequently specifications are subject to alterations without prior notice



### CONNECTION GUIDELINES

Before making connections it is advisable to ensure that all AC power cords of the components you are interconnecting are unplugged from the wall outlets during the connection process.

#### AC-ON/OFF SWITCH

As operating, the auto voltage selector will automatically adjust the PSW8e / PSW10e subwoofer to 115V or 230V, according to the power supply in your country.

